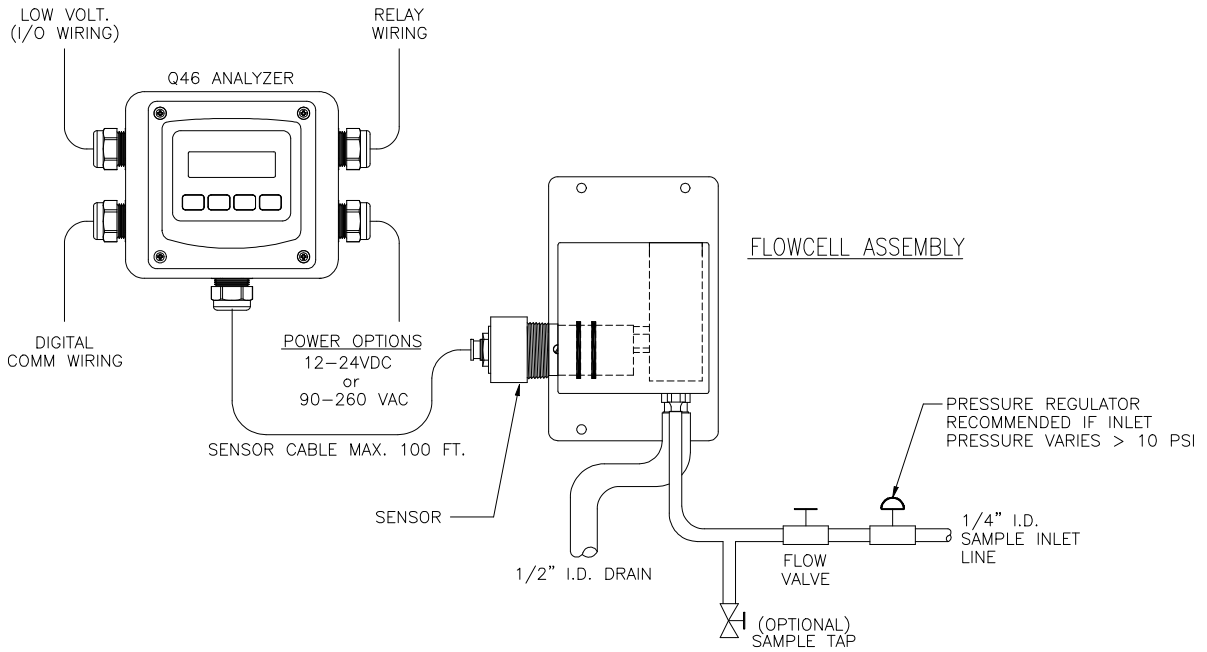
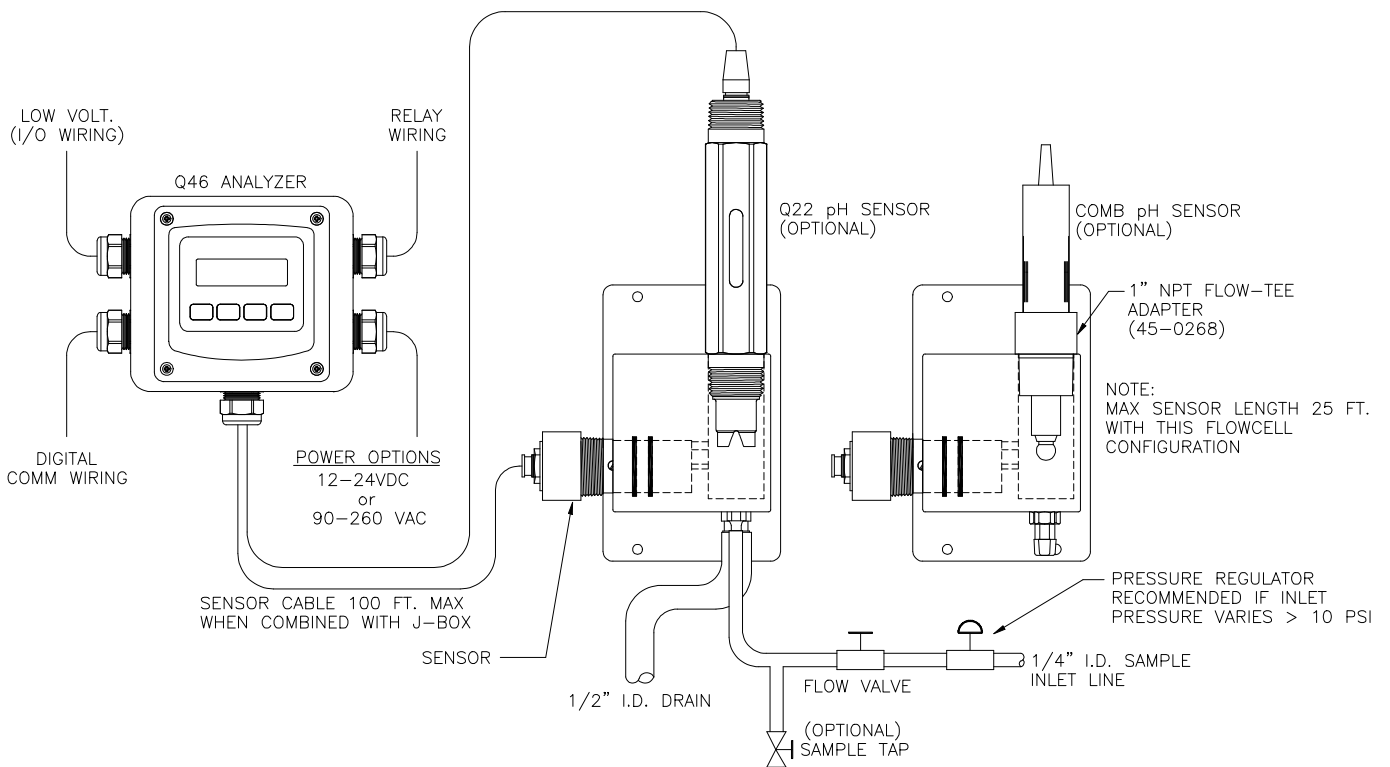


STANDARD SYSTEM DIAGRAM



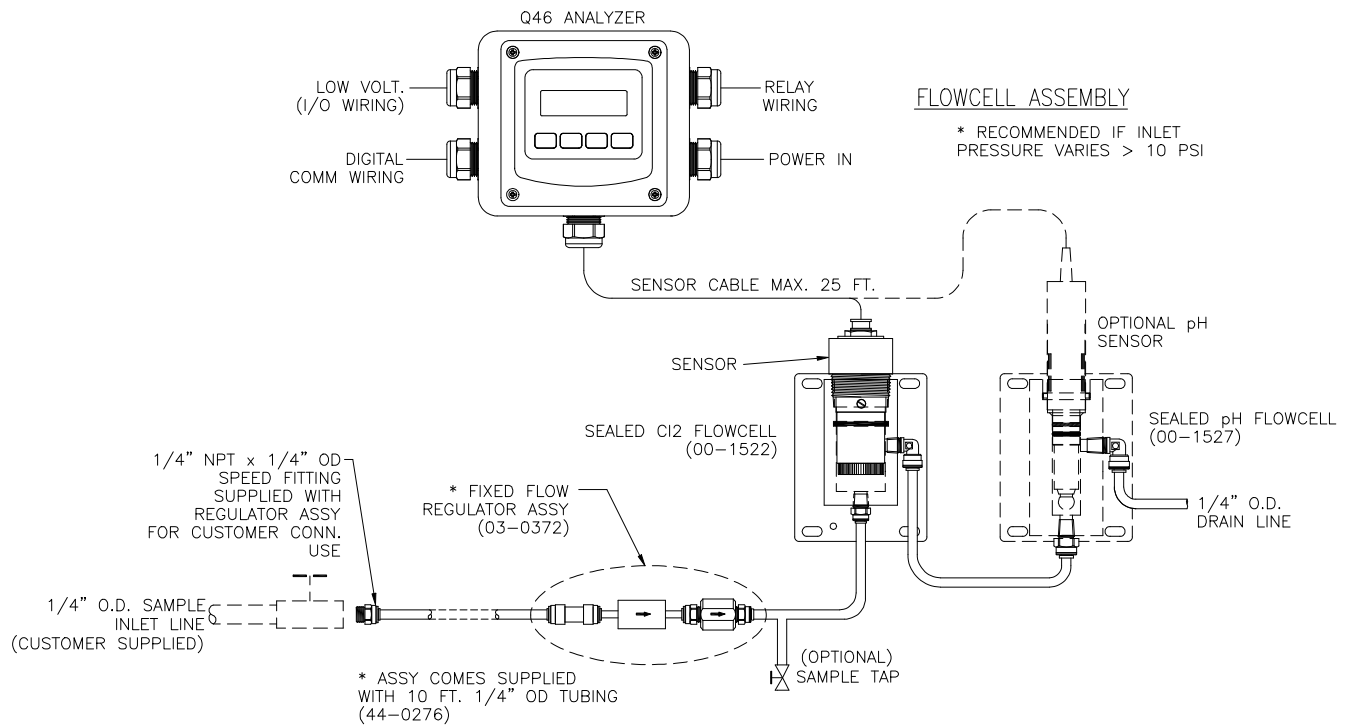
ATI-0922

SYSTEM DIAGRAM w/OPTIONAL pH SENSOR



ATI-0923

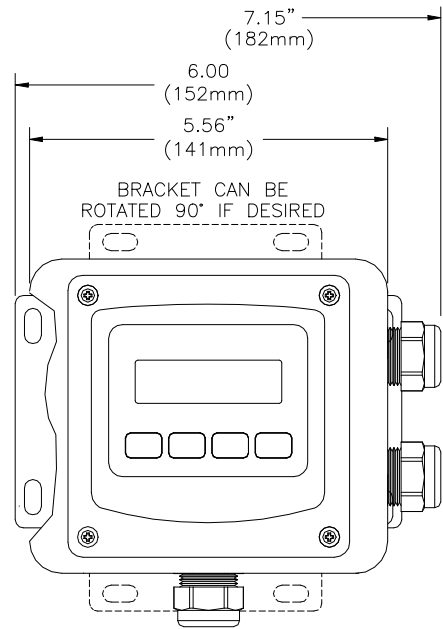
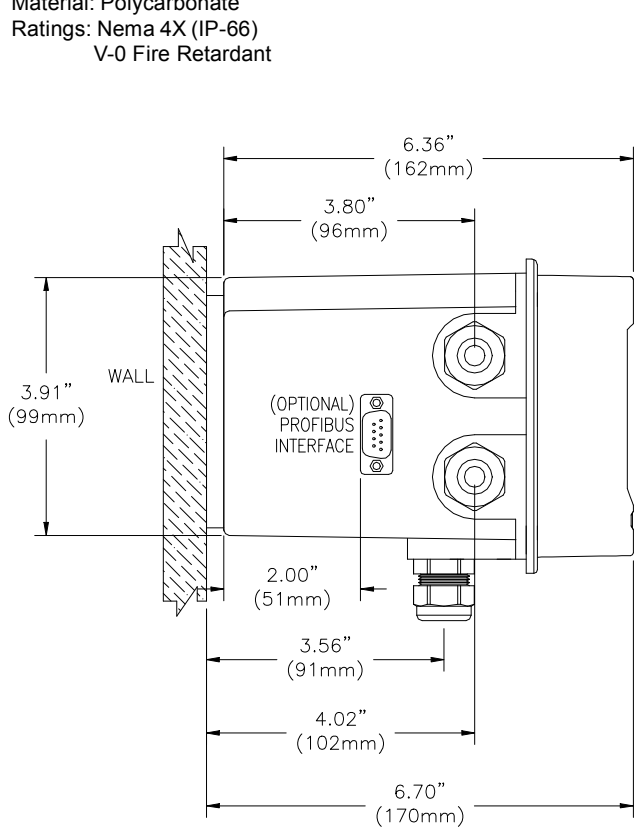
SYSTEM DIAGRAM w/SEALED FLOWCELLS



ATI-0924

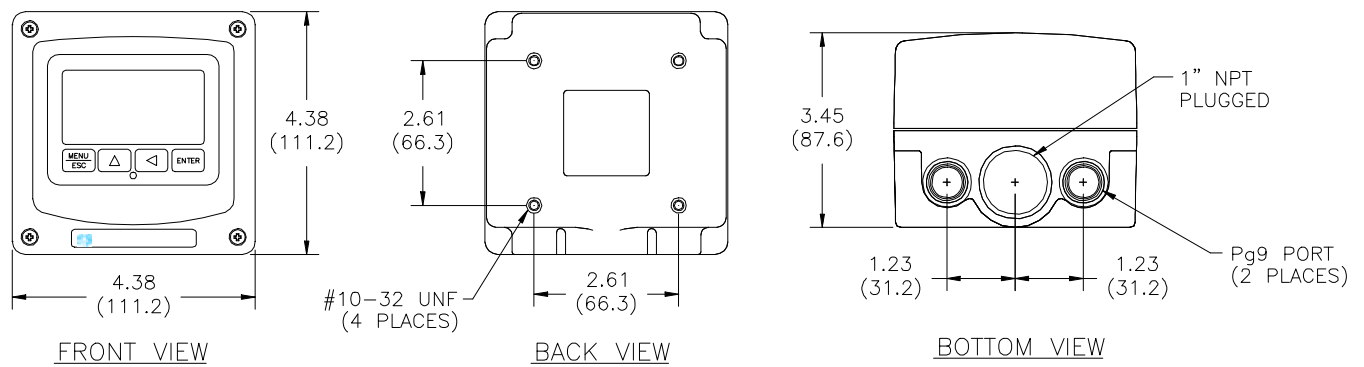
ANALYZER DIMENSIONS (WALL MOUNT SHOWN)

Material: Polycarbonate
 Ratings: Nema 4X (IP-66)
 V-0 Fire Retardant



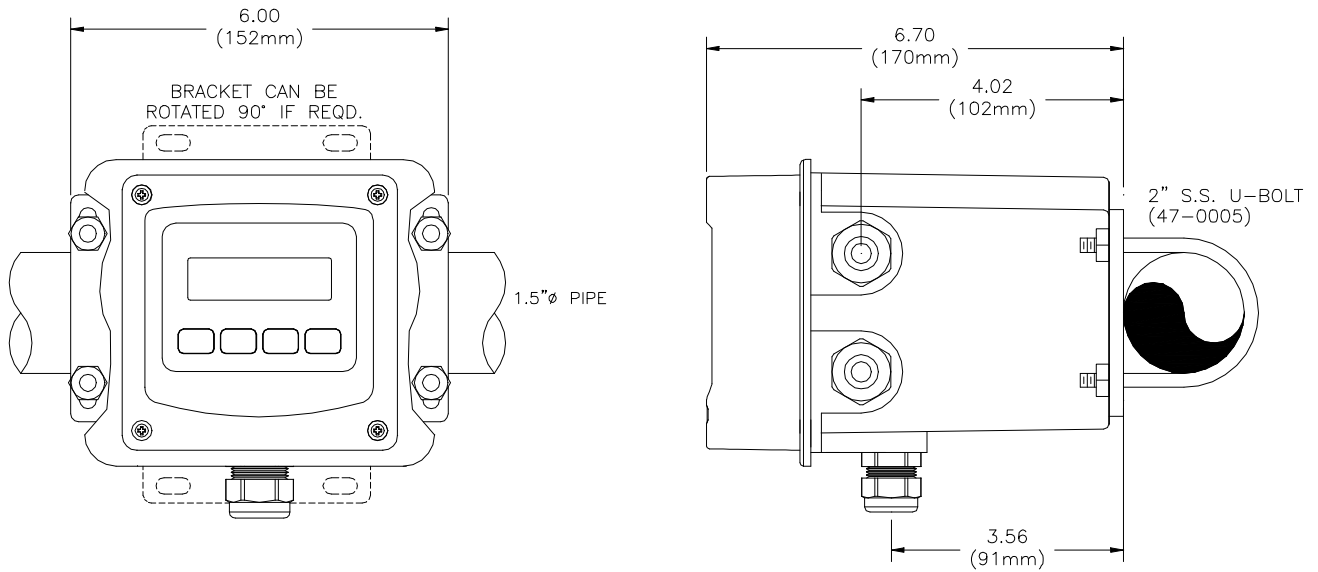
ATI-0926

JUNCTION BOX



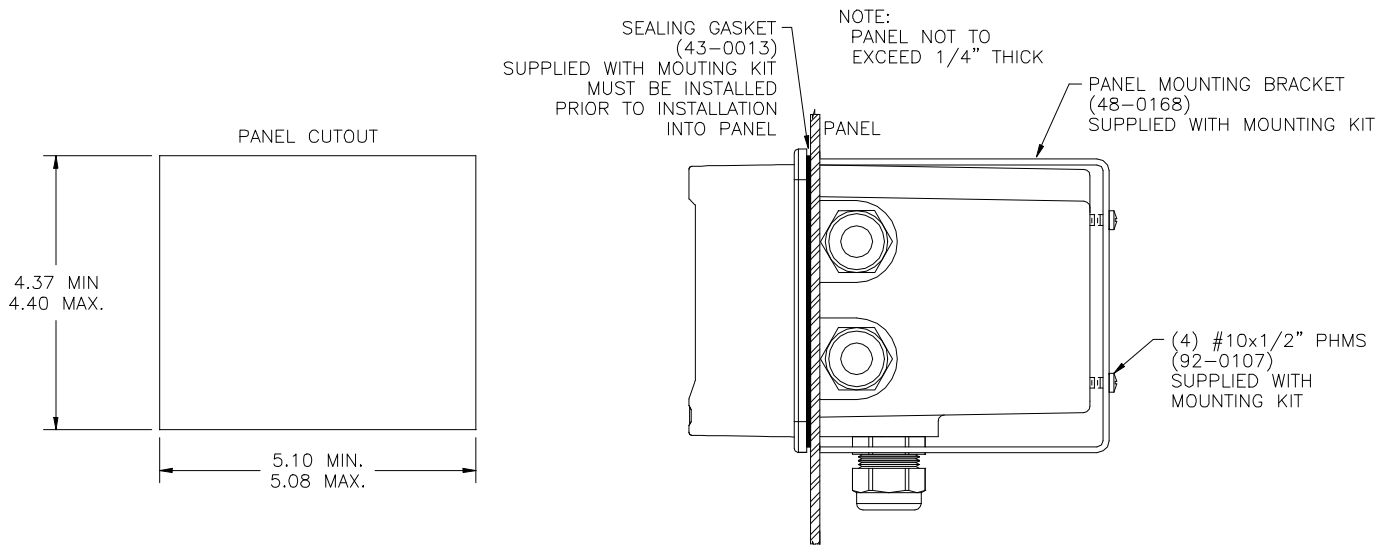
ATI-0655

PIPE MOUNTING



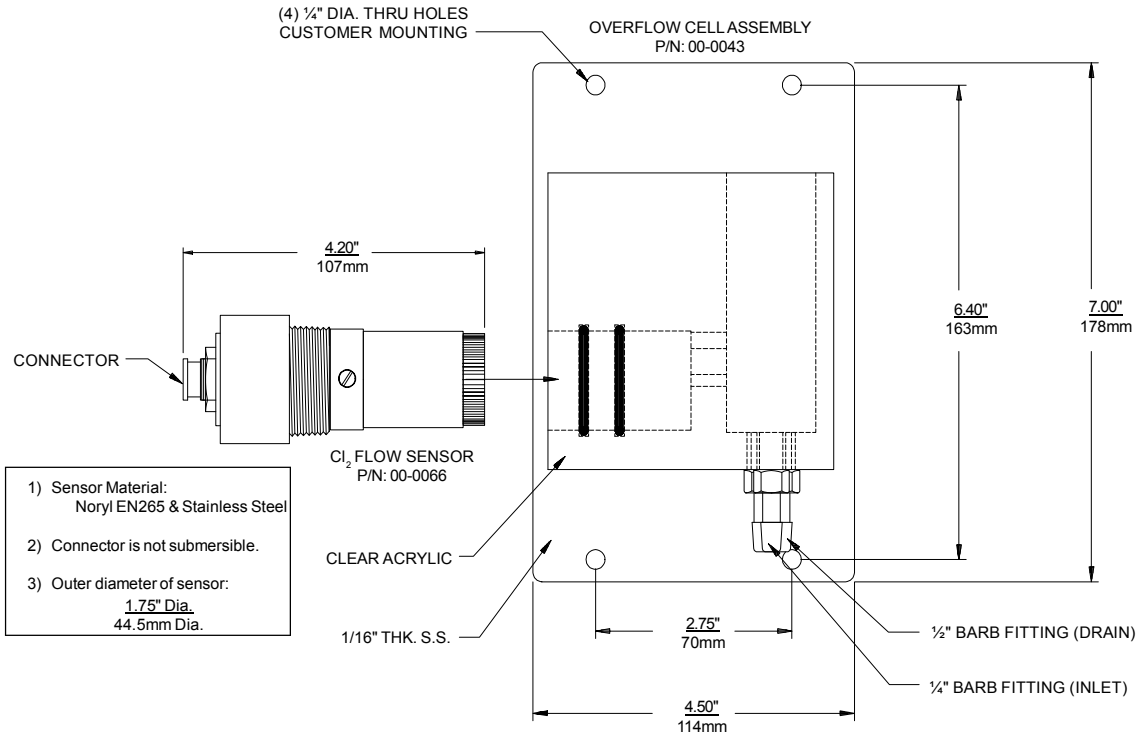
ATI-0927

PANEL MOUNTING DIAGRAM



ATI-0928

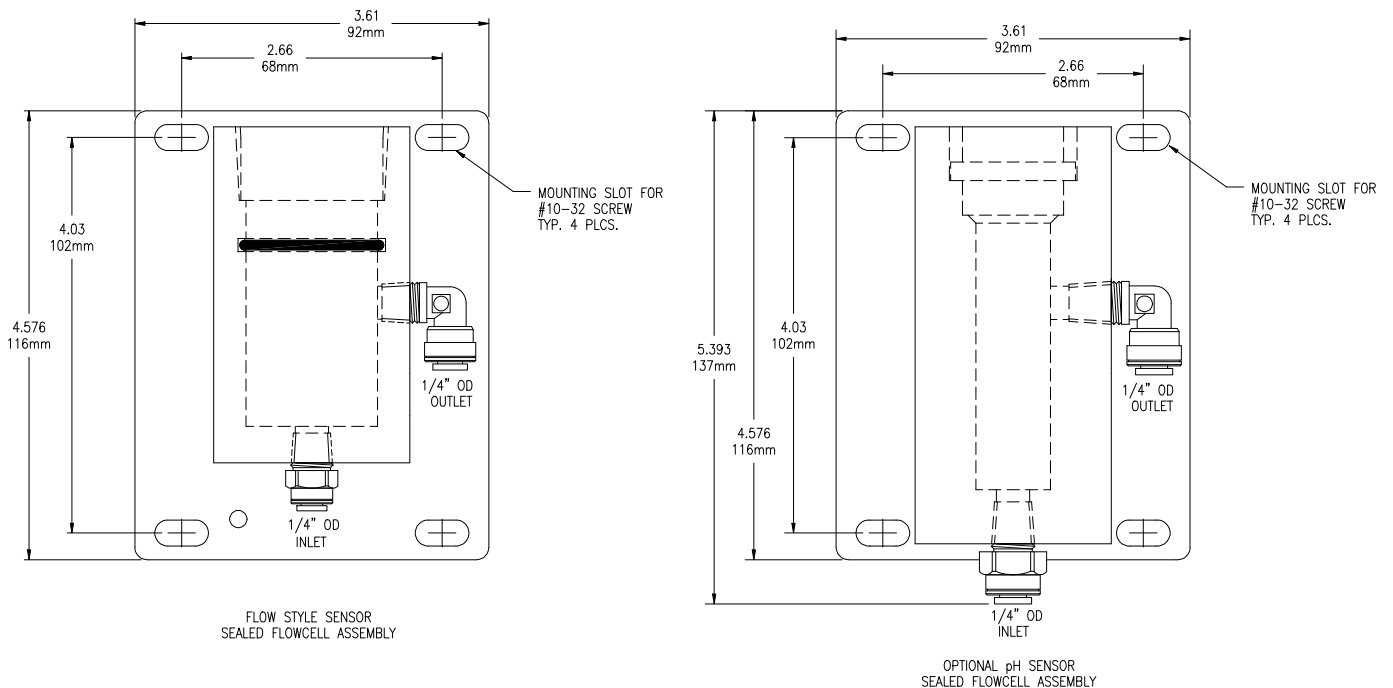
FLOW SENSOR DIMENSIONS & OVERFLOW CELL INSTALLATION



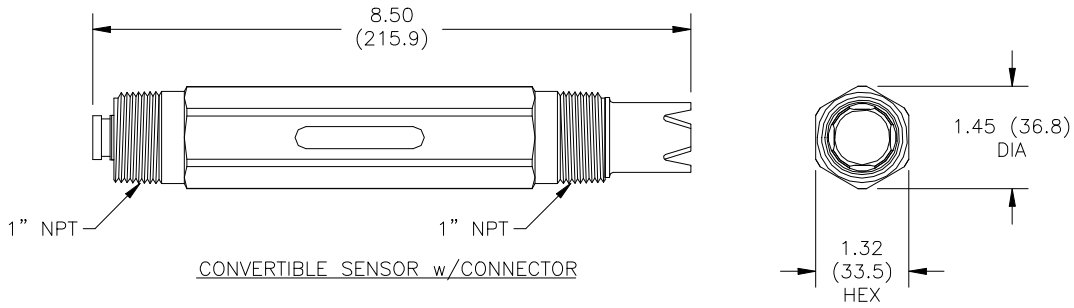
ATI-0196

SEALED FLOWCELL ASSEMBLY DIMENSIONS

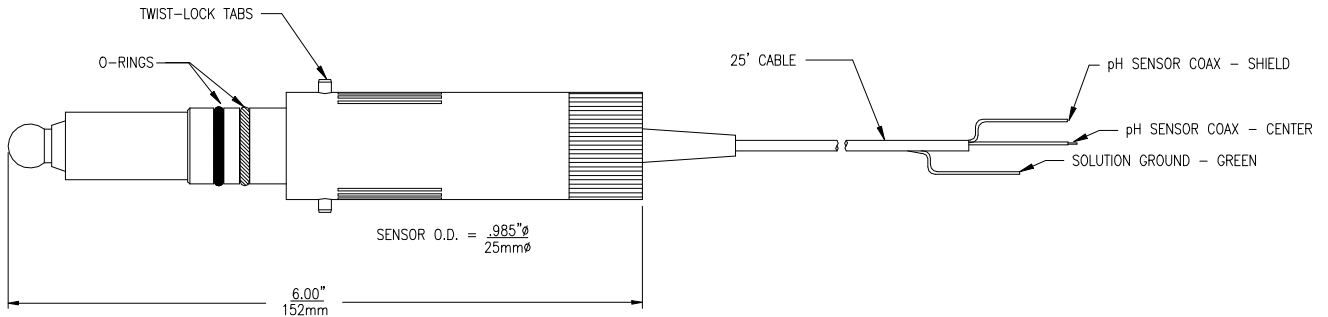
Material: Acrylic
Mounting Plate: PVC



(07-0096) pH SENSOR DIMENSIONS

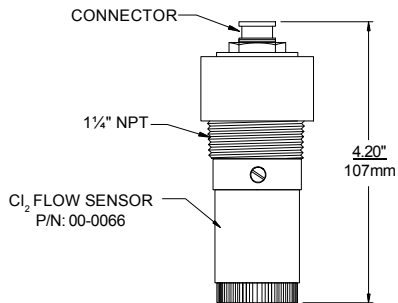


(63-0101) pH SENSOR DIMENSIONS

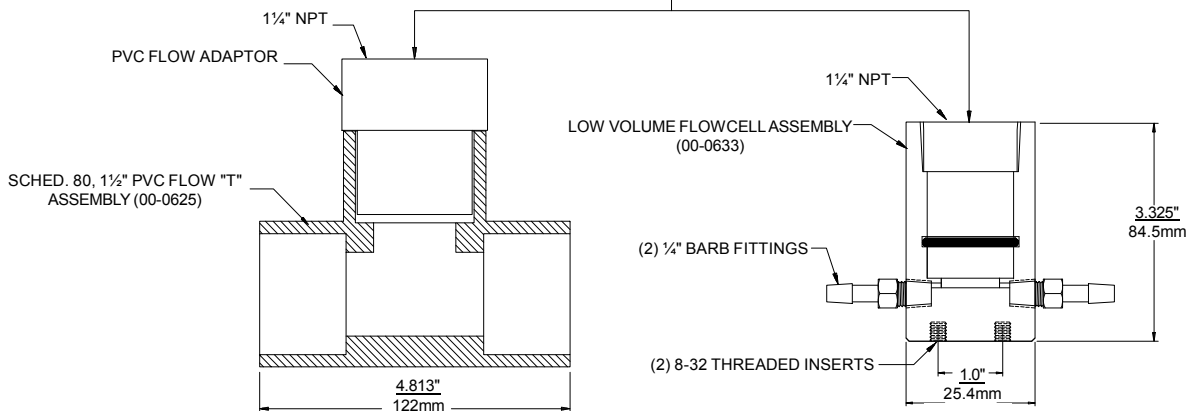


SPECIAL APPLICATION FLOWCELLS (CONSULT FACTORY)

- 1) Sensor Material: Noryl EN265 & Stainless Steel
- 2) Connector is not submersible.
- 3) Outer diameter of sensor: 1.75" Dia. 44.5mm Dia.

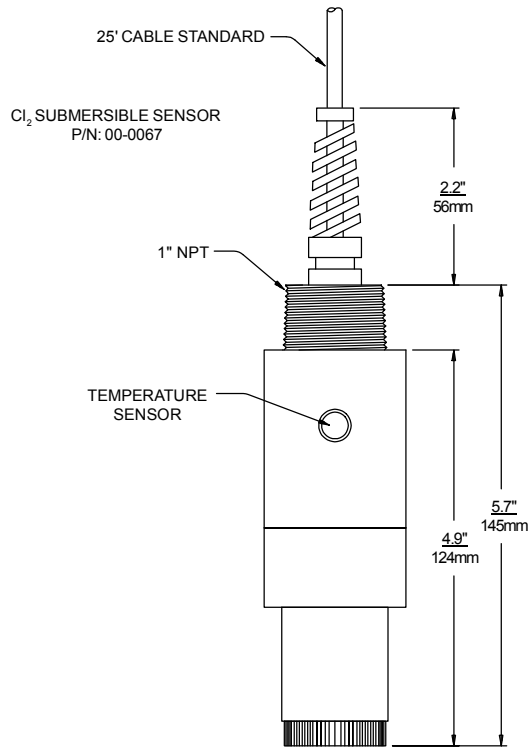


- Flow "T":
- 1) Max. 50 PSI for Flow "T" operation.
 - 2) Use Teflon tape to seal In-Line Sensor.
- Low Volume Flowcell:
- 1) Material: Clear Acrylic



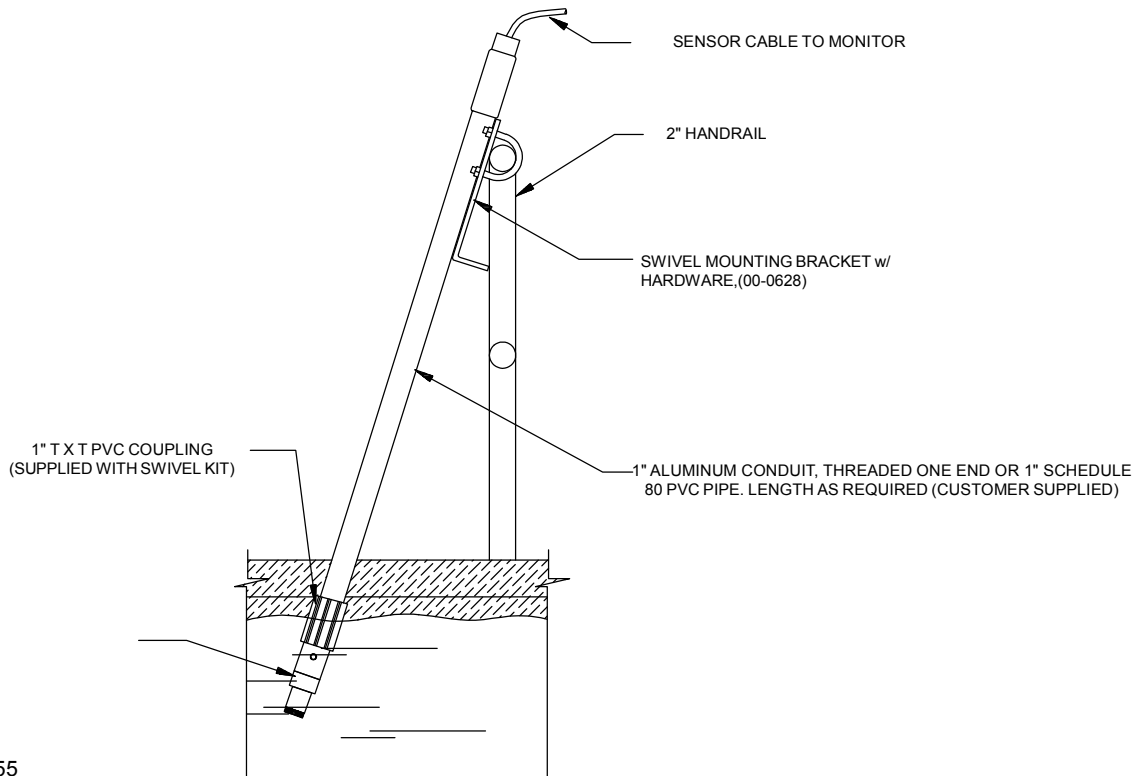
ATI-0197

SUBMERSIBLE SENSOR DIMENSIONS



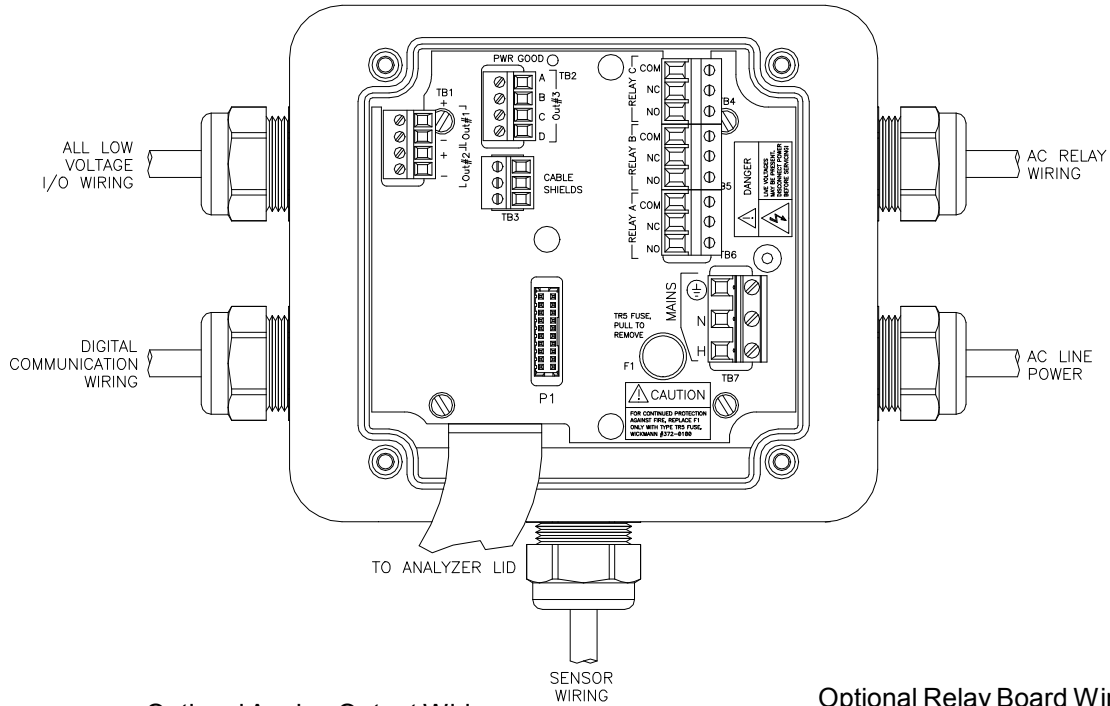
ATI-004

SUBMERSIBLE SENSOR INSTALLATION

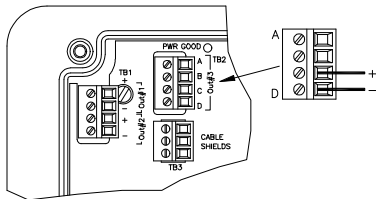


ATI-0155

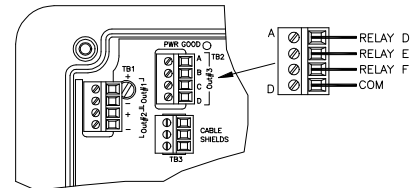
POWER, RELAY, AND OUTPUT CONNECTIONS



Optional Analog Output Wiring

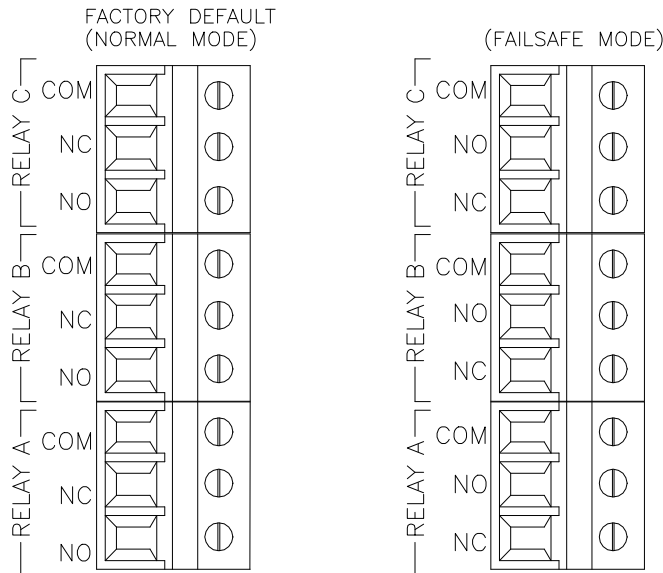


Optional Relay Board Wiring (30V Max.)



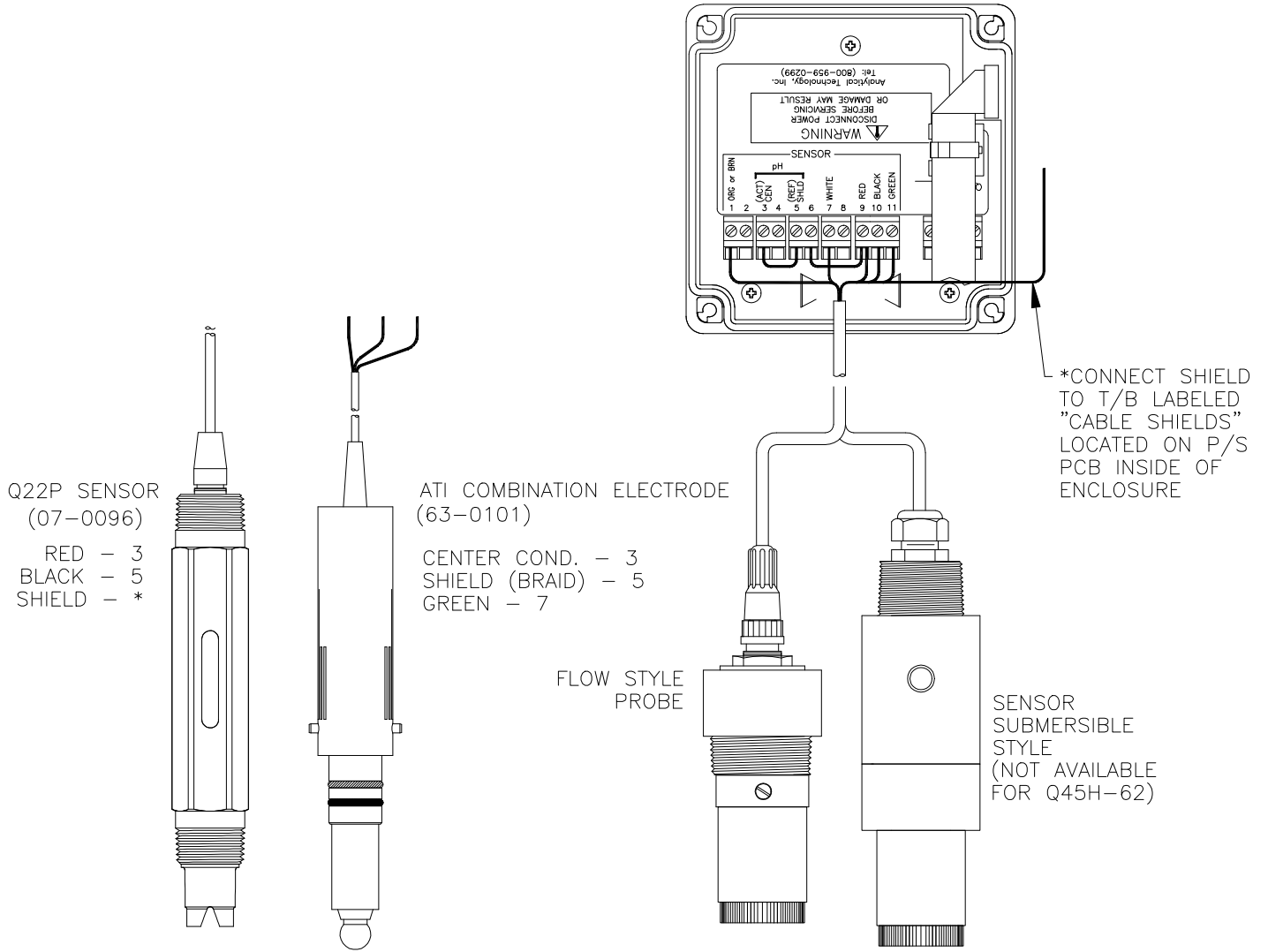
ATI-0930,
0932, 0933

RELAY WIRING TB4,5,6 DETAIL

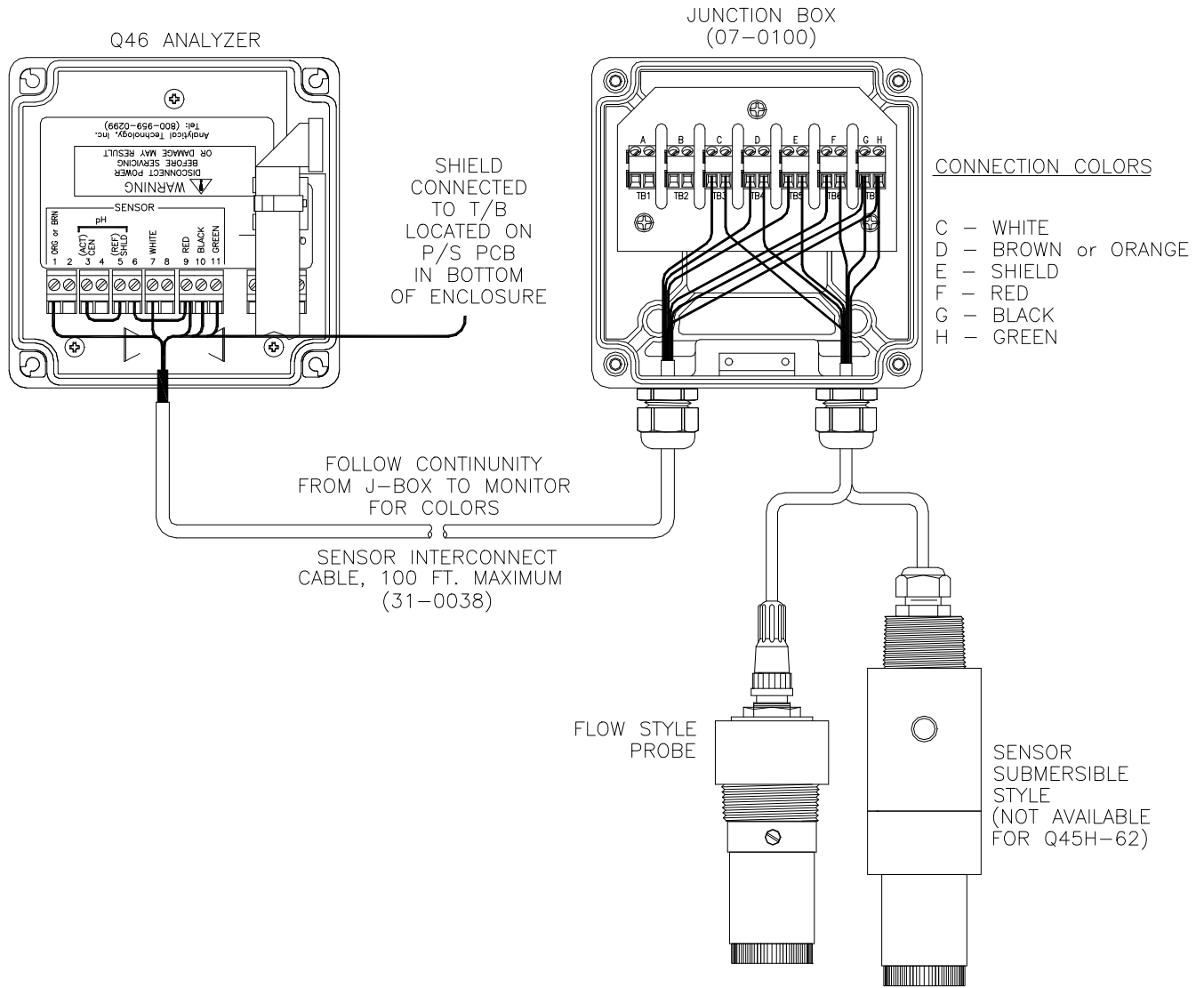


ATI-0931

ELECTRICAL CONNECTIONS



SENSOR CONNECTIONS - REMOTE JUNCTION BOX



ATI-0934

SENSOR CONNECTIONS - Cl₂ / pH WITH JUNCTION BOX

(63-0101) Bayonet Style pH Probe CANNOT be used in a remote application

